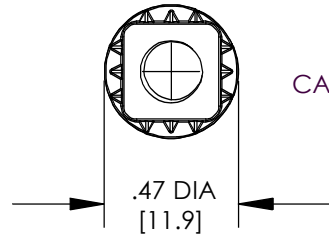
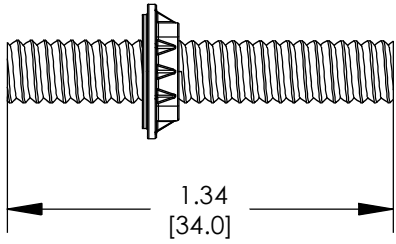
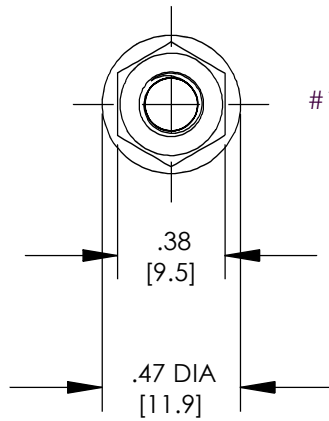


THIS COPY IS PROVIDED ON A RESTRICTED BASIS AND IS NOT TO BE USED IN ANY WAY DETRIMENTAL TO THE INTERESTS OF PANDUIT CORP.



CAGE NUT BONDING STUD (QTY. 4)



#12-24 BONDING NUT (QTY. 4)



5cc TUBE ANTI-OXIDANT PASTE (QTY. 1)

NOTES:

1. CAGE NUT BONDING STUD KIT  
PART NUMBER: CGNB4SK
2. DIMENSIONS IN PARENTHESIS ARE  
MILLIMETERS.
3. ALL COMPONENTS THAT MAKE UP THIS KIT  
ARE RoHS COMPLIANT.

C41723\_00

**PANDUIT** CORP. TINLEY PARK, ILLINOIS

CAGE NUT BONDING STUD KIT  
(CGNB4SK)  
CUSTOMER DRAWING

00	6/07	JHNU	DWDA
REV	DATE	BY	CHK

DRAWING RELEASED

DESCRIPTION

ECN

PM

CUST

DRAWN BY  
JHNU

CHK'D

SCALE  
NONE

DRAWING NO / CAD FILE  
C41723